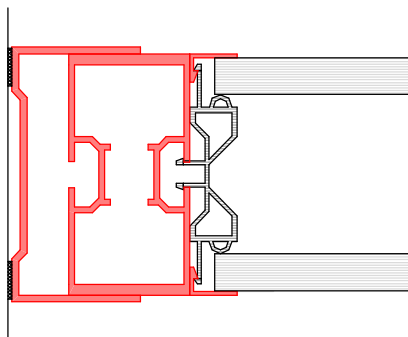
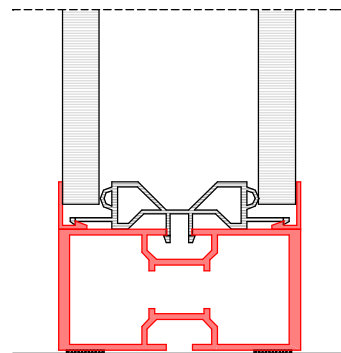
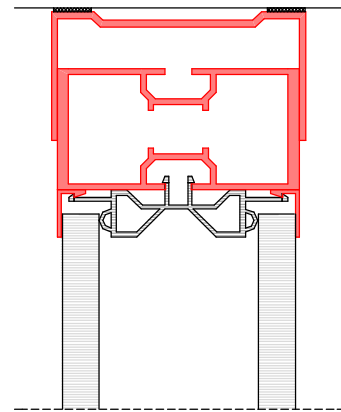


CCS P64 : modul AA

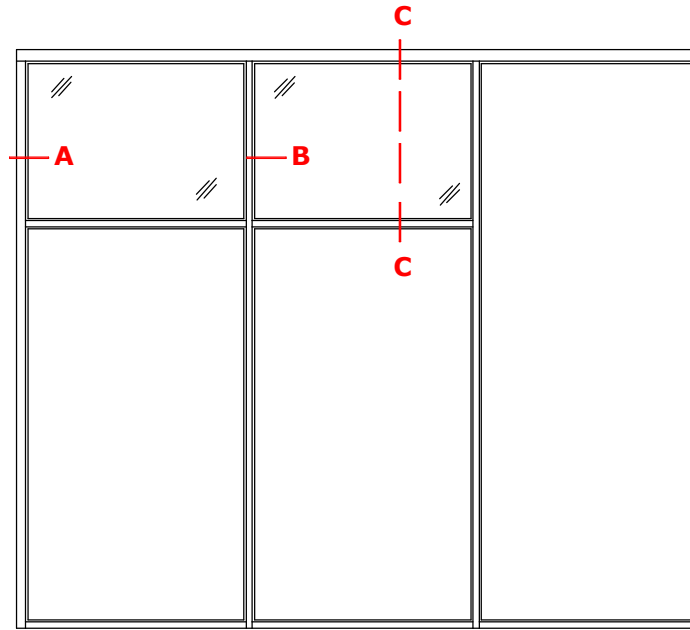


detail A

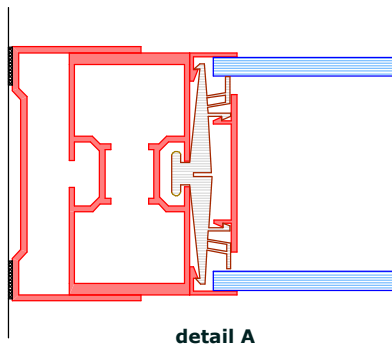


detail B

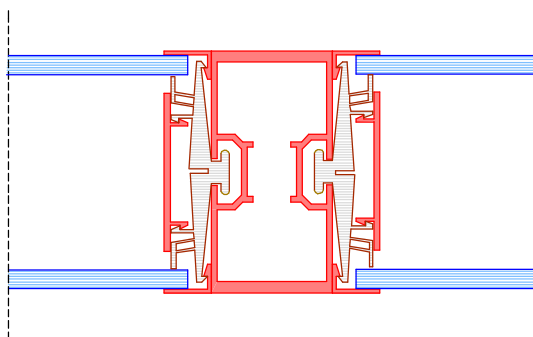
detail C



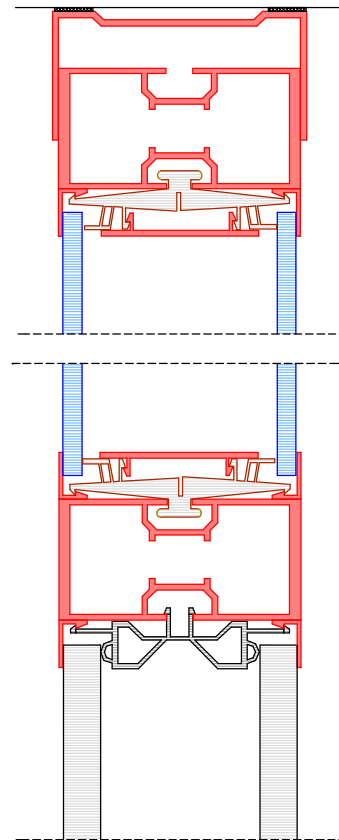
CCS P64 : moduul BB



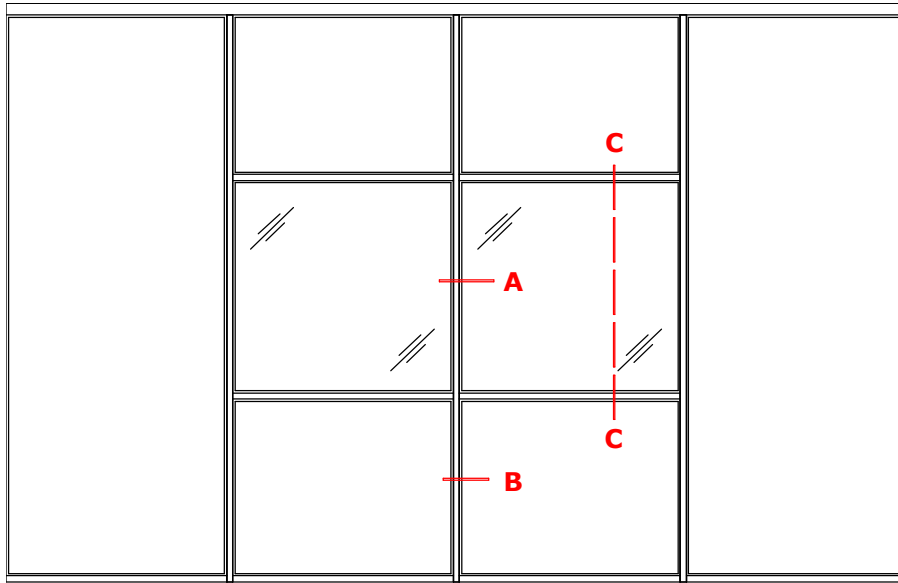
detail A



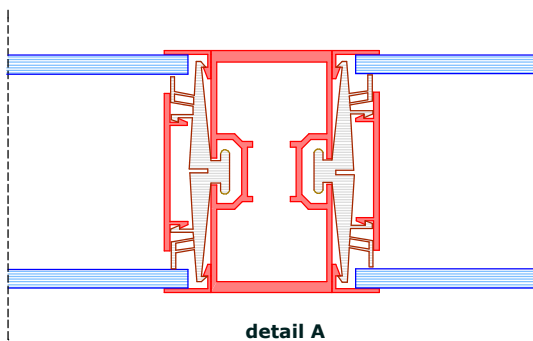
detail B



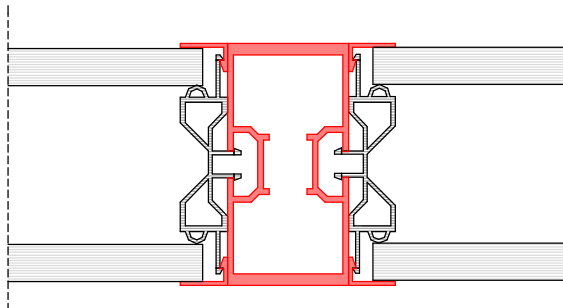
detail C



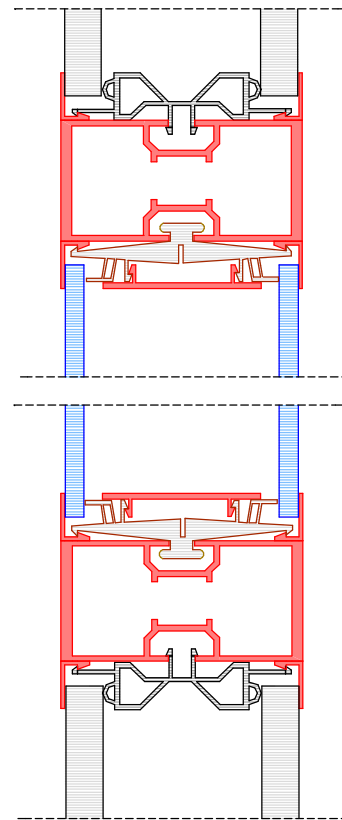
CCS P64 : moduul CC



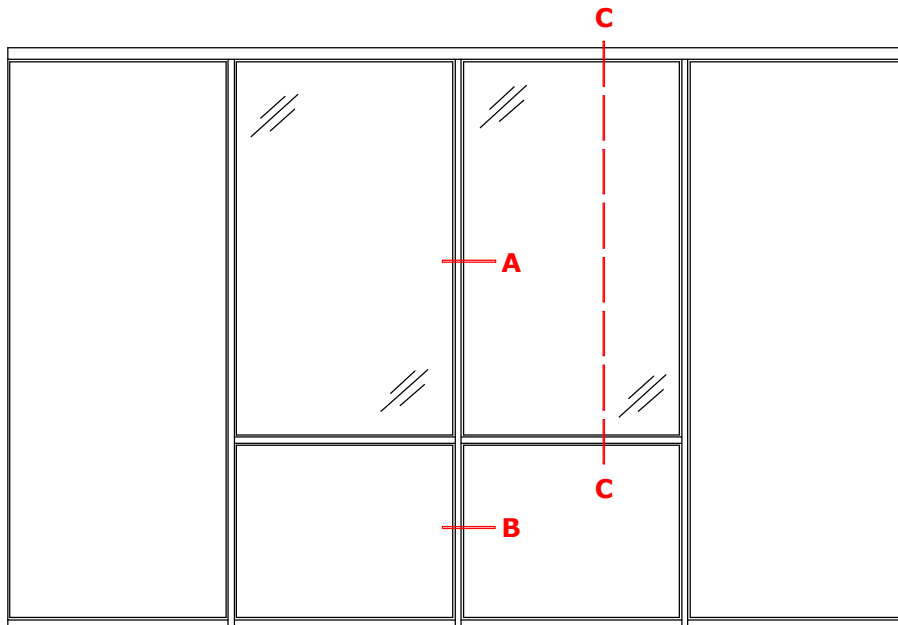
detail A



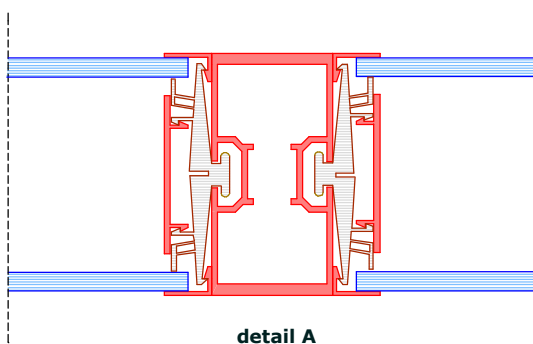
detail B



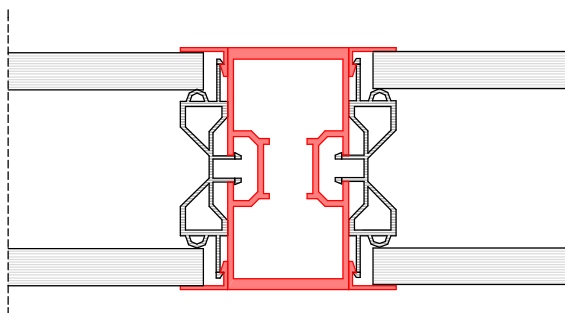
detail C



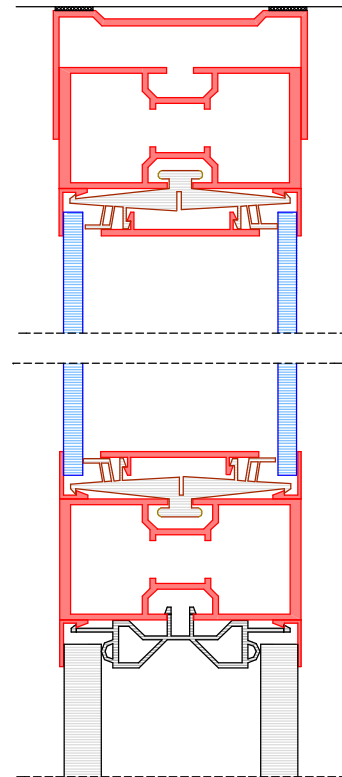
CCS P64 : moduul EE



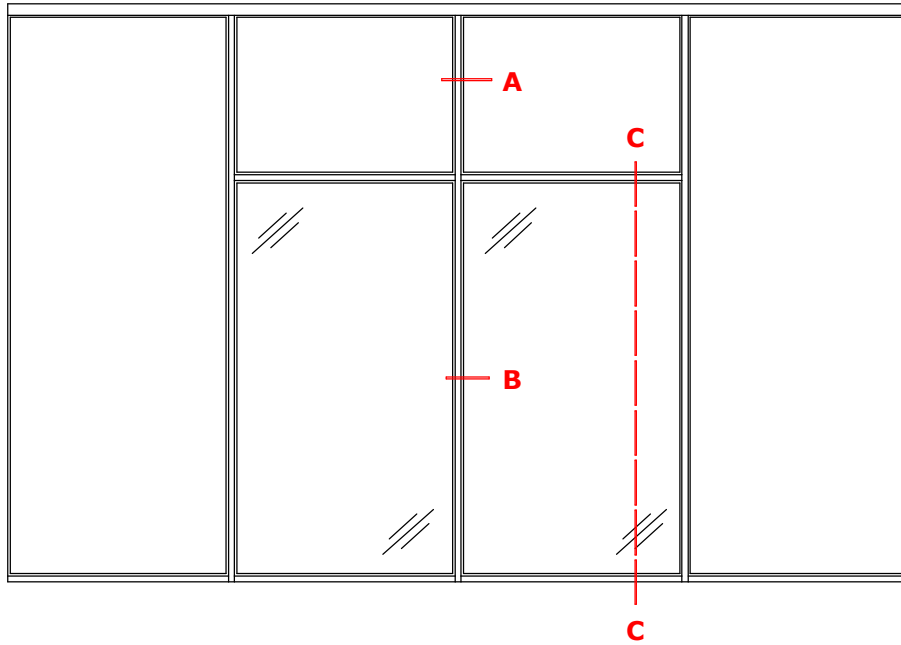
detail A



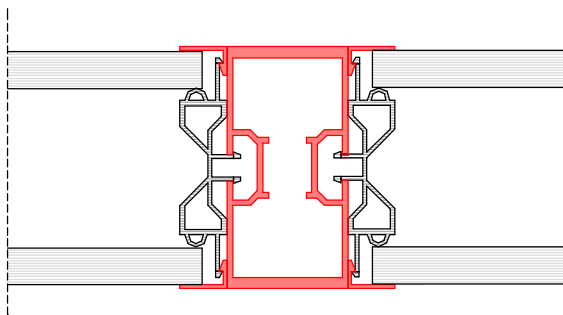
detail B



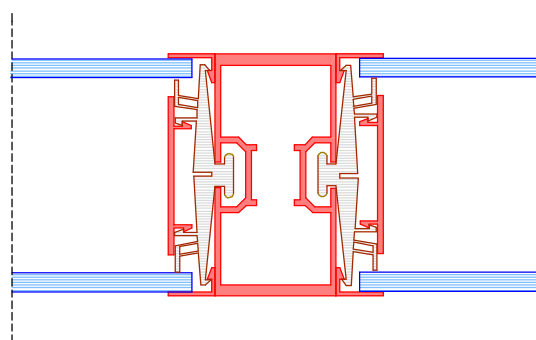
detail C



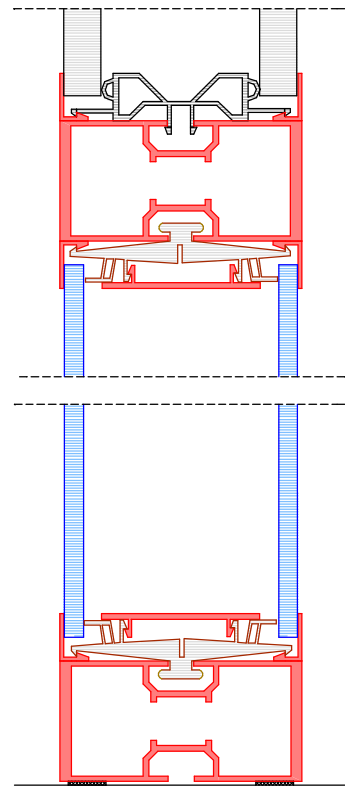
CCS P64 : moduul EF



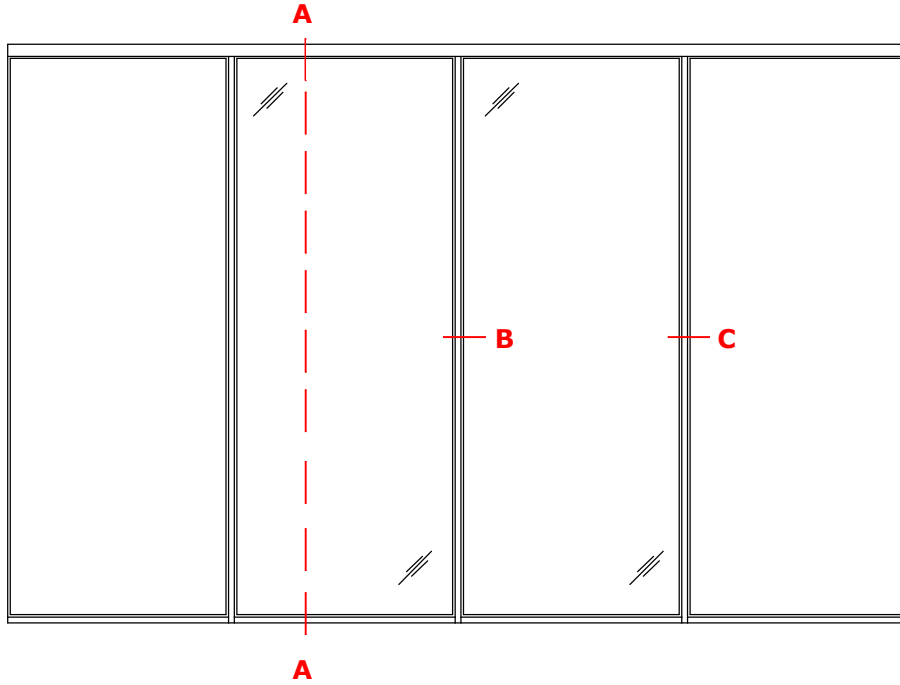
detail A



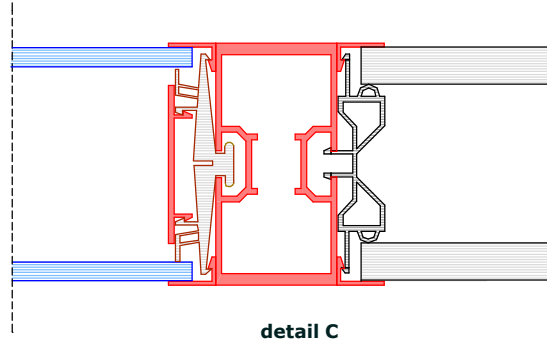
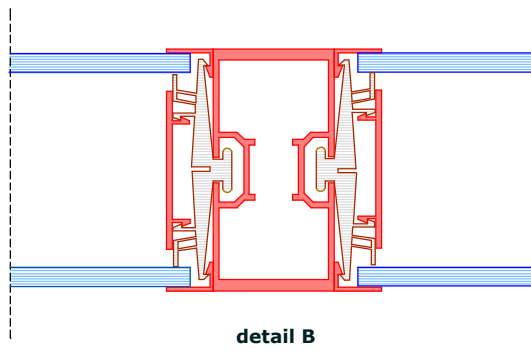
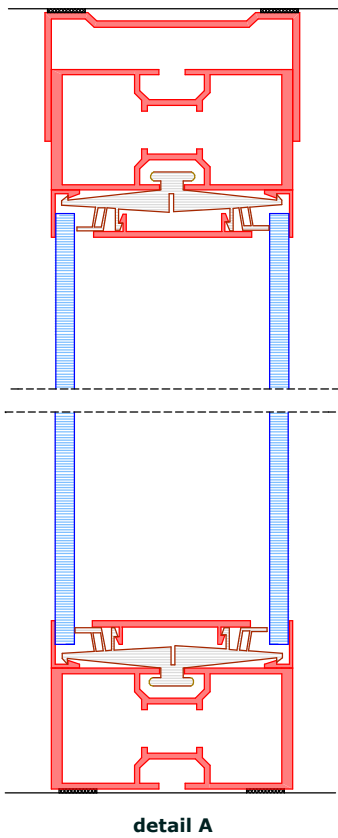
detail B

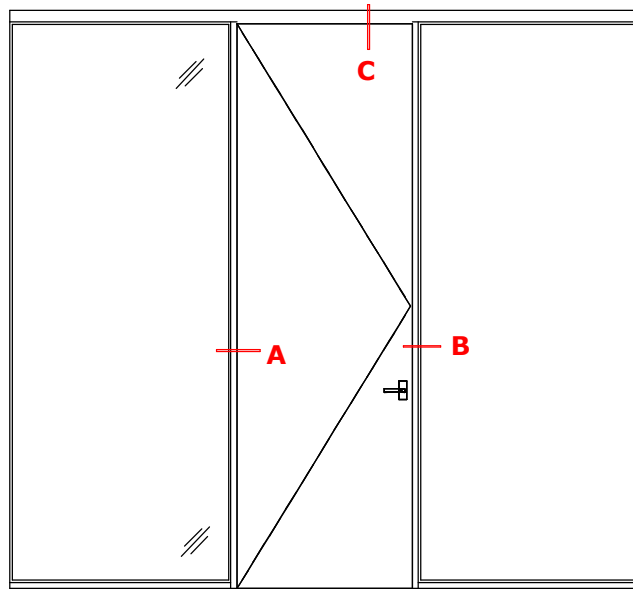


detail C

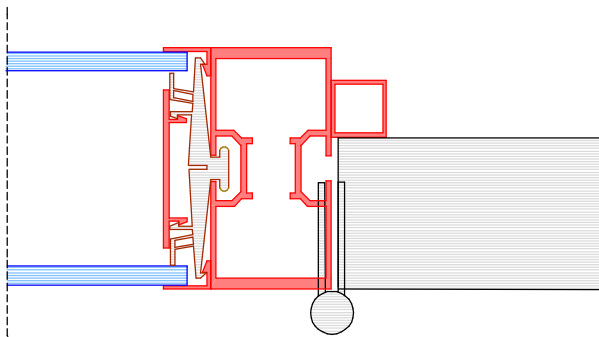


CCS P64 : moduul AF

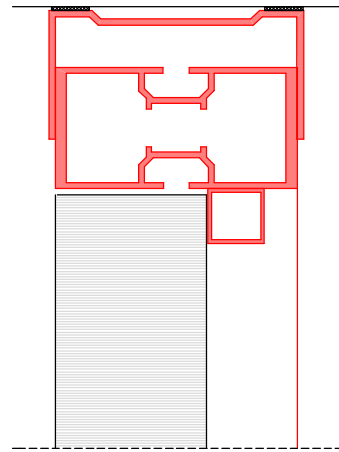




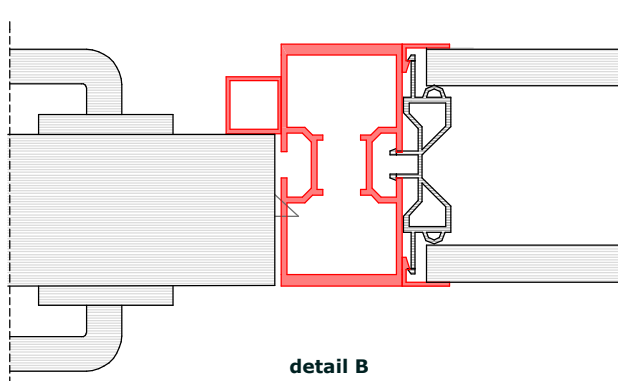
CCS P64 : moduul DAW



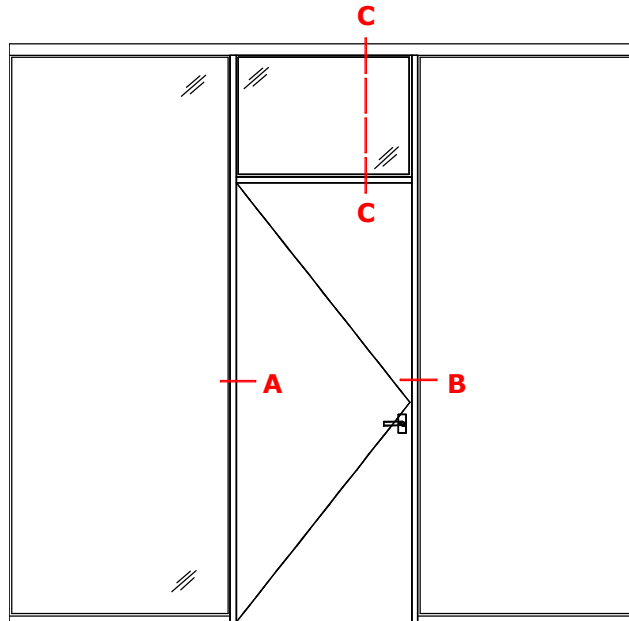
detail A



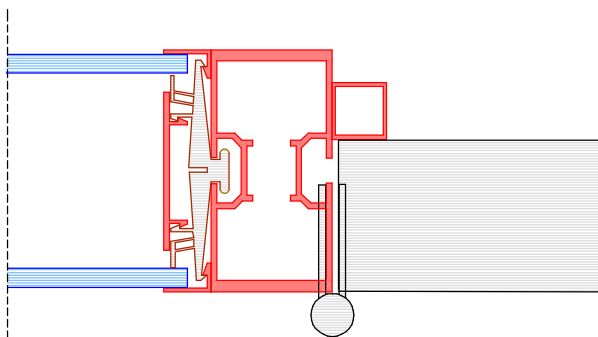
detail C



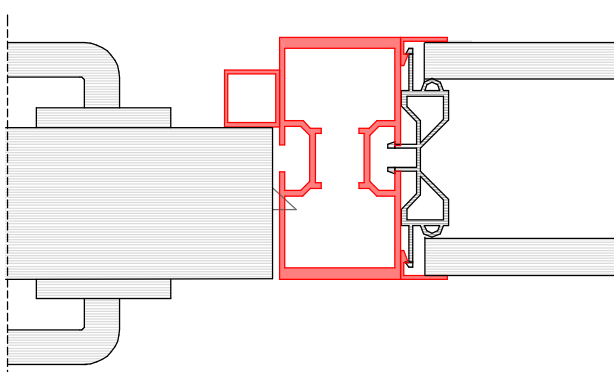
detail B



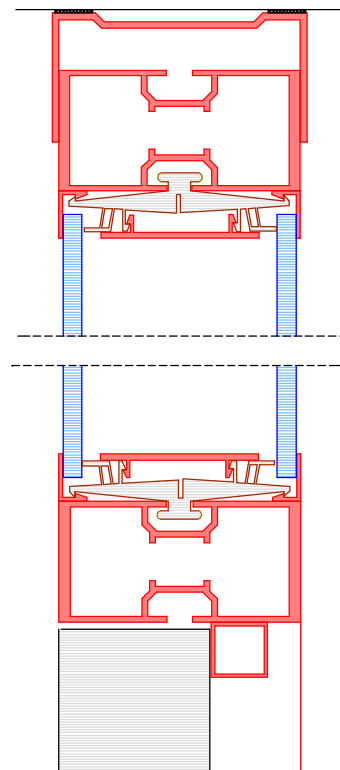
CCS P64 : moduul DFF



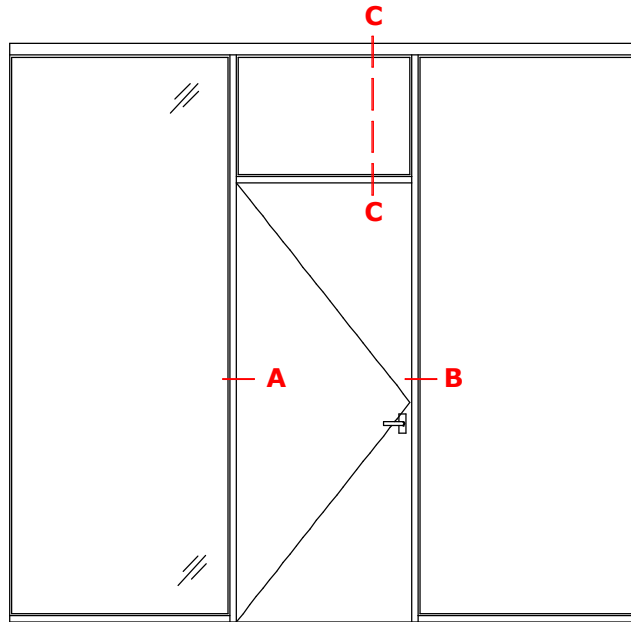
detail A



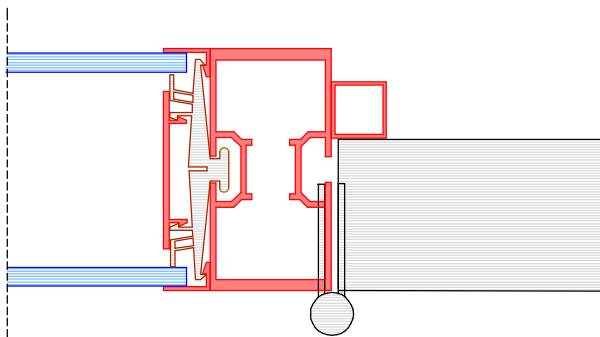
detail B



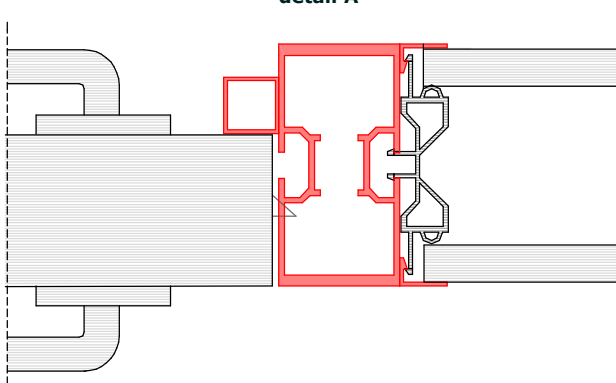
detail C



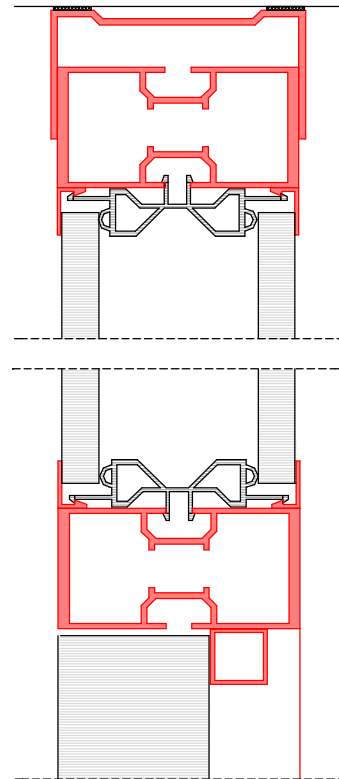
CCS P64 : moduul DGG



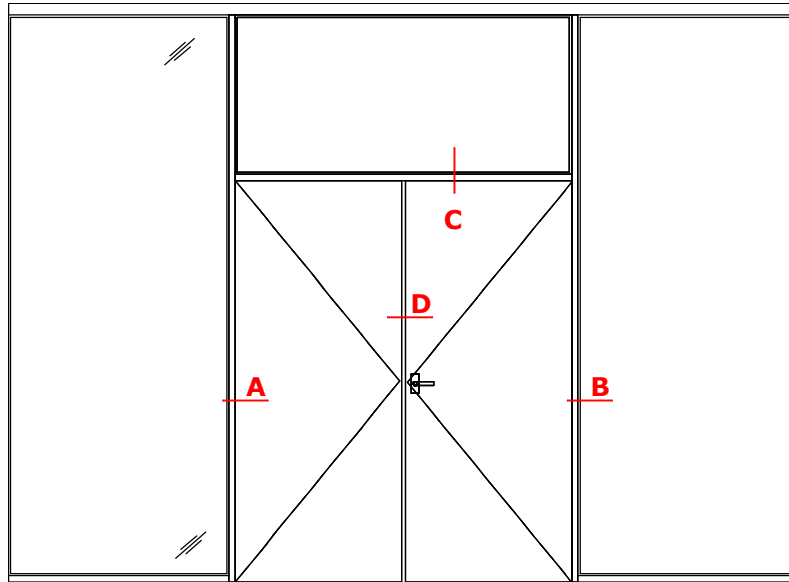
detail A



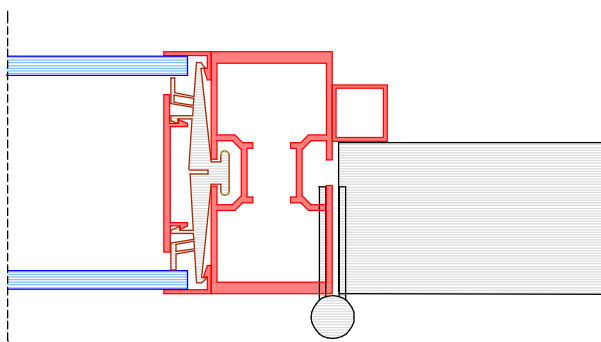
detail B



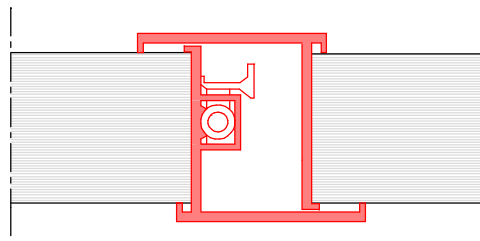
detail C



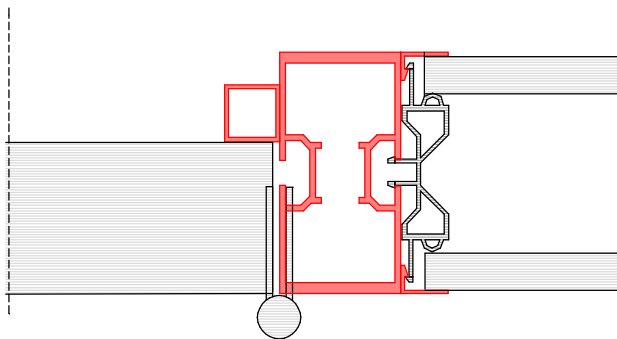
QW P64: moduul DME



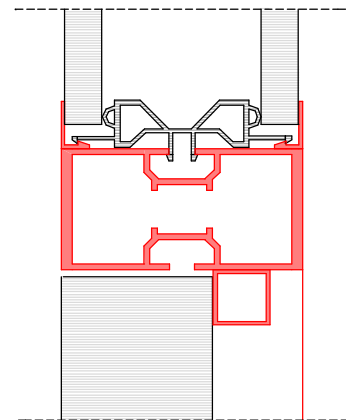
detail A



detail D



detail B



detail C

CCS P64 | hoekoplossingen | corner solutions | Ecklösungen

